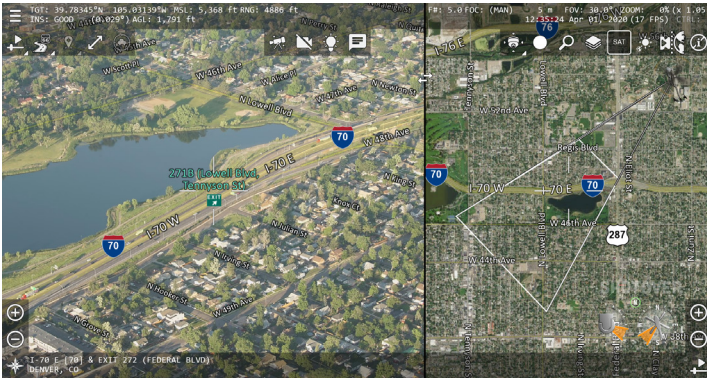


# SHOT OVER

# AIRSCAPE

## AI ENABLED MISSION MANAGEMENT

SHOTOVER's next generation augmented reality software combines gimbal and camera control, mapping, and mission management into a single platform so operators can stay focused on the target. AIRSCAPE composites information such as street data, parcel information, business names, RADAR targets, AIS vessels, ground crew and vehicle locations, as well as additional custom data directly over EO/IR video in real time.



## AIRSCAPE FEATURES

- Quickly identify street addresses, measure areas, calculate acreage, perform crowd size estimations, and even display a vehicle's speed during fast-moving pursuits
- High resolution aerial imagery and charts at your fingertips including: street data, topographic charts, digital elevation models, aviation charts, and custom supplied data
- Artificial Intelligence (AI) Powered automatic target recognition for automated sensor operations and other tasks
- View all flight information on one screen including waypoints and flight plans
- Quickly search for airport locations, nearby aircraft, and other trackable vehicles
- Interface to TAK and stream live video to Earthscope and other services
- Place an unlimited number of geo-markers to highlight specific locations or landmarks
- Keep up the pace with speed tracking of vehicles on land or water
- Multiple orientation views provide unmatched situational awareness for perimeter mapping
- Import predefined mission targets with ease
- Plug in and charge your iPad while using it as an auxiliary display
- Send waypoints to your Flight Management System (FMS)
- NEXRAD Radar and 28 Day cycle aviation charts available
- Cybersecure by design to safely support networking
- Create orthomosaics in real time for use in Airscape and GIS systems

**SHOT  
OVER**  
SHOTOVER.COM

SHOTOVER HQ  
5660 Airport Blvd., Suite 101  
Boulder CO, 80301

SWITZERLAND  
Zeughausstrasse 31  
8004 Zürich

NEW ZEALAND  
133 Glenda Drive  
Queenstown, 9300

CANADA  
286 Sanford Ave N, Suite 403  
Hamilton, ON L8L 6A1

SALES  
+1 720 680-2457  
info@shotover.com

CUSTOMER SUPPORT  
+1 720 744-3300 | Dial 1 when prompted  
support@shotover.com

# OUR SMALLEST AND MOST POWERFUL MISSION COMPUTER YET!



## AIRSCAPE SPECIFICATIONS

### INPUT

Up to 4x 3G-SDI (1080p60)

### OUTPUT

Up to 2x 3G-SDI + 1x Extra 3G-SDI outputs if only using 3x inputs

### INTERFACES

#### Front Connections

SD/SDHC/SDXC/SD Express cards (x2)

USB-A 3.1

USB-C: USB 3.2 + 20W PD + Ethernet interface

Gigabit Ethernet with 802.3bt 60W PoE

High-Brightness Screen

#### Rear Connections

Audio in (x2): balanced

Audio out (x2): unbalanced

RS232/RS422/RS485 (x3)

Gigabit Ethernet (x2): x1 is POE 802.3bt 60W capable

ARINC429: (x1 inputs, x1 output)

Wide Input Voltage Range (12-30 VDC)

CAN bus

USB 2.0 (x2)

PS/2 (x2)

GPIO (DI/DO/AI) (x6)

### STORAGE

External - Continuous uninterrupted recording with Hot-Swap

Removable M.2 NVME 2242 SSD

### WEIGHT

2.54 lbs (1.15 Kg)

### SIZE

6.02" L x 5.75" W x 1.5" H

152.9 mm x 146 mm x 38 mm

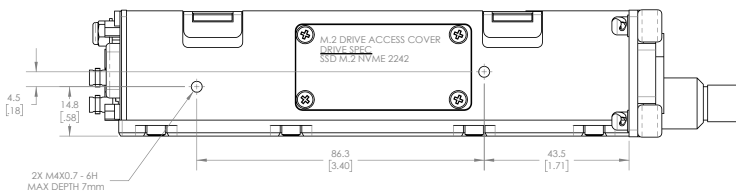
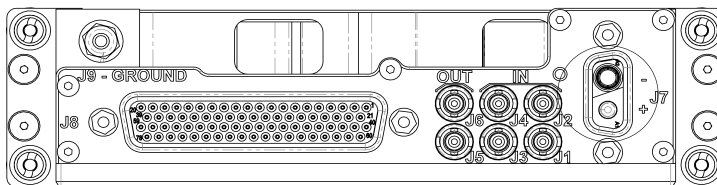
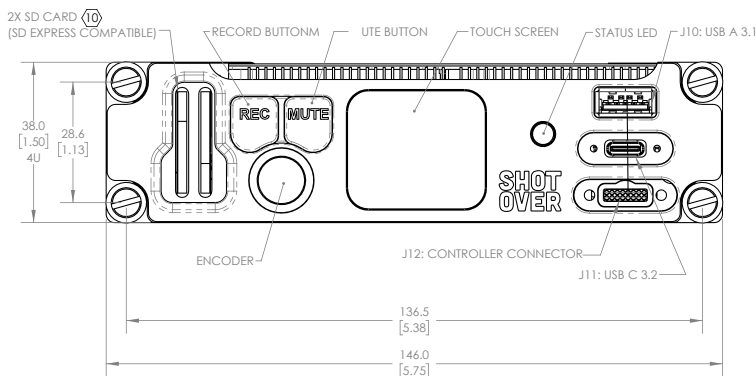
### CERTIFICATIONS

DO-160G Certified (Sections 4, 5, 6, 7, 8, 9, 15, 16, 17, 21, 25, 26)

NVIS MIL-STD-3009 compliant

ISO-9001

SHOTOVER Systems' AIRSCAPE runs on our latest OSCAR hardware, the market's most compact, powerful mission computer



## UNRIVALED SUPPORT & WARRANTY

- 1-Year Hardware Warranty
- No Annual Fee for Support or Software Updates
- 1-Year Money-Back Guarantee



Specifications and ICDs available via the QR code or at:

[shotover.com/oscar](https://shotover.com/oscar)

2.16.2026

**SHOT  
OVER**  
SHOTOVER.COM

SHOTOVER HQ  
5660 Airport Blvd., Suite 101  
Boulder CO, 80301

SWITZERLAND  
Zeughausstrasse 31  
8004 Zürich

NEW ZEALAND  
133 Glenda Drive  
Queenstown, 9300

CANADA  
286 Sanford Ave N, Suite 403  
Hamilton, ON L8L 6A1

SALES  
+1 720 680-2457  
info@shotover.com

CUSTOMER SUPPORT  
+1 720 744-3300 | Dial 1 when prompted  
support@shotover.com